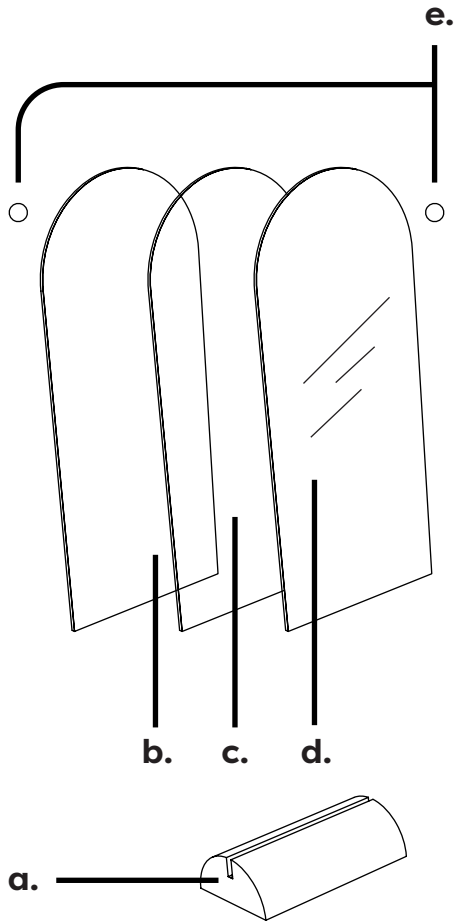


components

- a. base
- b. white panel
- c. fluo orange/magenta panel
- d. mirror
- e. sphere magnets

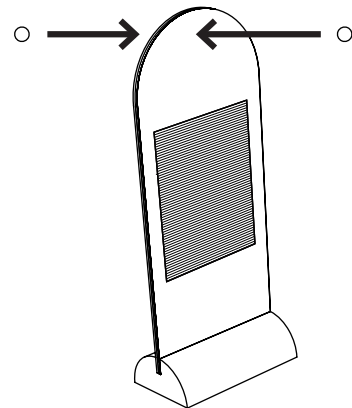


installation & maintenance

To clean, just use a soft, damp cloth.
To preserve the lustre of marble, clean the surfaces daily with neutral soap diluted in warm water.
Use products free of aggressive substances such as alcohol, ammonia or similar.
The use of these substances would cause cracks inside the material.
Antistatic detergents are preferred.

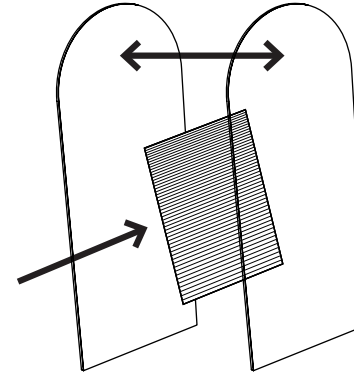
3

Put the sphere magnets on the upper part of the two panels, in order to lock them in position.



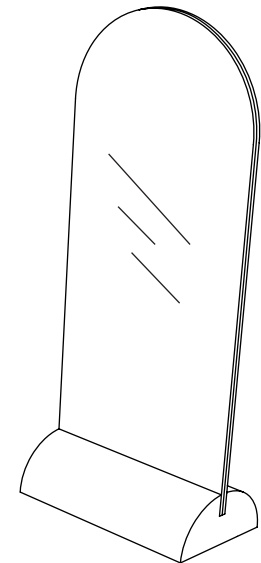
1

Place a photo between the white panel and the fluo panel.



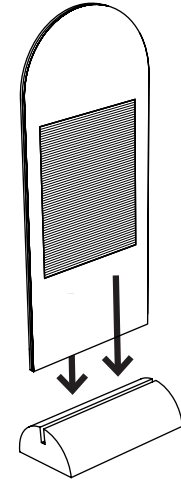
4

Keeping the white panel as support, change the mirror with the fluo orange/magenta panel, to turn the photo holder into a mirror.



2

Insert the two panels in the base to complete the photo holder.



about

use	<i>indoor</i>
typology	<i>small mirror/ photo holder</i>
year	<i>1968</i>
dimension	<i>16 x 10 x 40 [h] cm</i>
materials	<i>base in marble, photo holder panels in opaque white and transparent fluo orange/magenta plexiglas, acrylic mirror, magnets</i>

warning

⚠ *If exposed to direct sunlight, the materials used in this product may show a natural chromatic variation.*

⚠ *Poltronoa will not be liable for products that are modified or used improperly.*

⚠ *Poltronoa will replace merchandise with manufacturing defects only if the appliance is intact in all its parts and provided with the original or equivalent packaging.*

⚠ *Magnets are not toys. If swallowed, they could cause perilous complications. Make sure that children don't play with magnets.*

poltronoa



**Centro Studi Poltronoa
per il design srl**
via Lorenzo Bartolini 2,
50124 Firenze – Italy
www.poltronoa.it
info@poltronoa.it

Spera
instructions